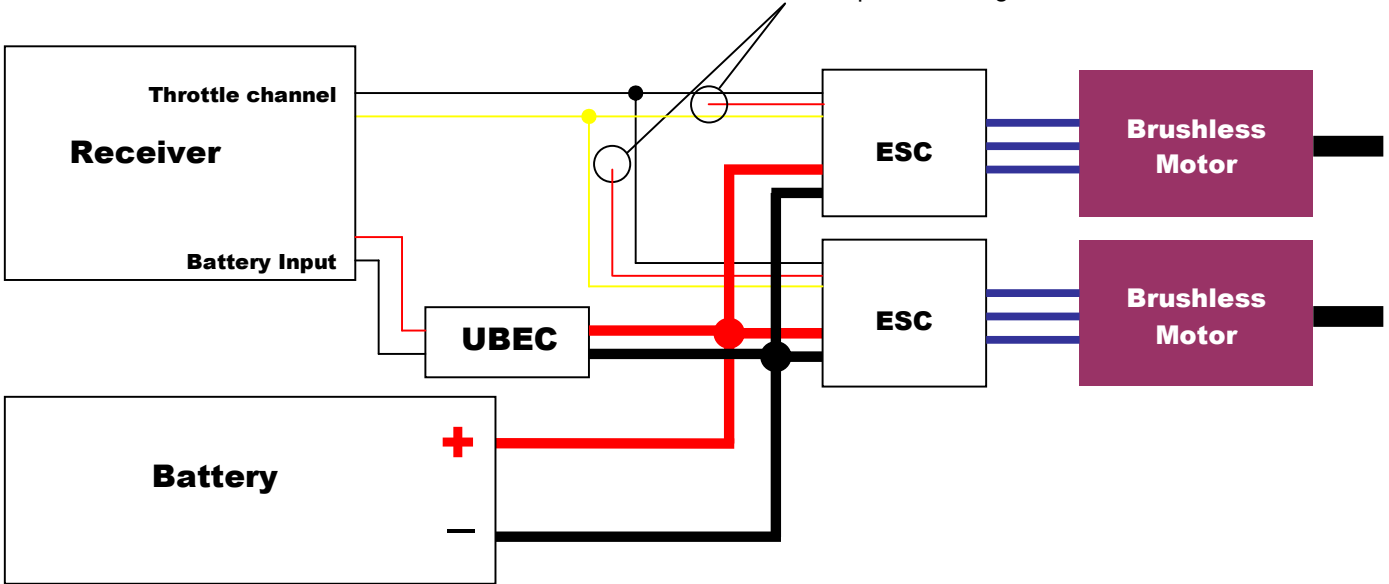


Cont/...

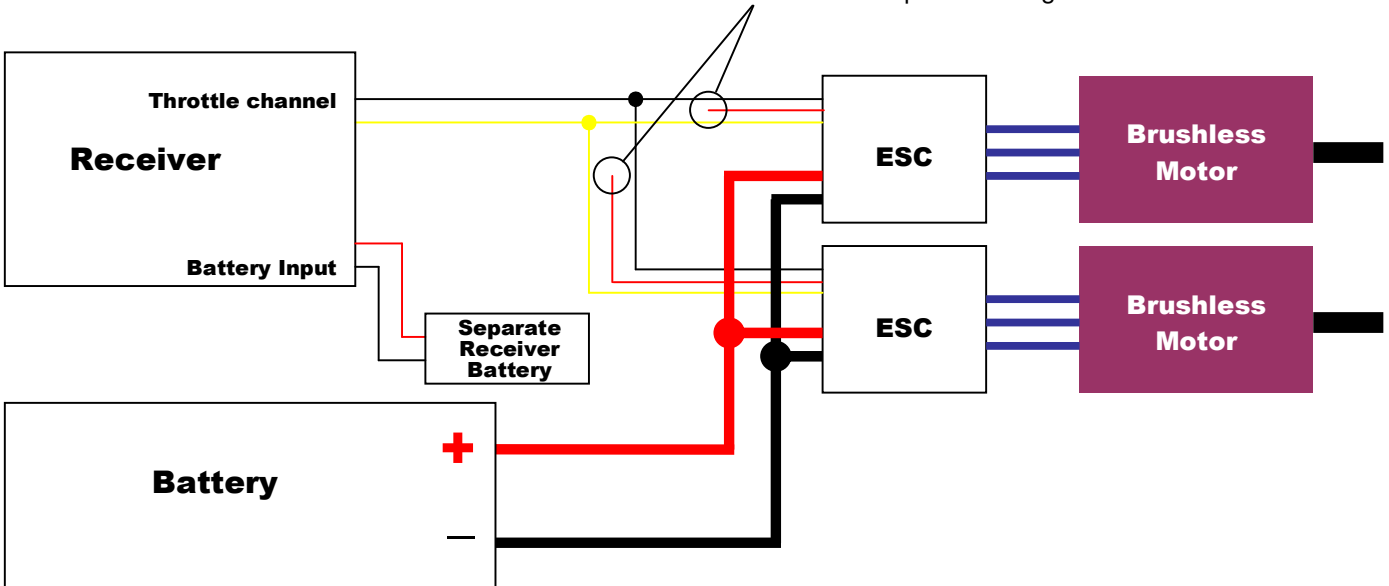
Option 2 – High Voltage System Using a Separate UBEC.

Note that the red wire on both ESC's are not connected. Leave the wire in place if using OPTO ESC's.



Option 3 – High Voltage System Using a Separate 4 or 5 Cell NiMh Receiver Battery.

Note that the red wire on both ESC's are not connected. Leave the wire in place if using OPTO ESC's.



This is a guide only. 4-Max does not accept any liability whatsoever with regards to any injury or damage caused by advice contained within or not contained within this guide. www.4-Max.co.uk